



SR-3030



# TABLE OF CONTENTS

| <u>Section</u> | <u>Title</u>                                     | <u>Page</u> |
|----------------|--|-------------|
| <b>1.</b>      | <b>SPECIFICATIONS . . . . .</b>                  | <b>2-1</b>  |
| <b>2.</b>      | <b>CONTROLS, INDICATORS AND OTHERS . . . . .</b> | <b>2-2</b>  |
| <b>3.</b>      | <b>MAINTENANCE . . . . .</b>                     | <b>2-3</b>  |
| 3-1.           | Changing the capstan . . . . .                   | 2-3         |
| 3-2.           | Replacing the cartridge . . . . .                | 2-3         |
| 3-3.           | Oiling . . . . .                                 | 2-4         |
| 3-4.           | Changing the LINE voltage . . . . .              | 2-4         |
| <b>4.</b>      | <b>ADJUSTMENT . . . . .</b>                      | <b>2-5</b>  |
| 4-1.           | Adjusting the stylus pressure . . . . .          | 2-5         |
| 4-2.           | Adjusting the inside force canceler . . . . .    | 2-5         |
| 4-3.           | Adjusting the arm lifter . . . . .               | 2-5         |
| <b>5.</b>      | <b>TROUBLESHOOTING . . . . .</b>                 | <b>2-7</b>  |
| 5-1.           | Turntable not rotating . . . . .                 | 2-7         |
| 5-2.           | No sound . . . . .                               | 2-7         |
| 5-3.           | Distorted or weak sound . . . . .                | 2-7         |
| 5-4.           | Hum . . . . .                                    | 2-8         |
| 5-5.           | Rumble (Unusual) sound . . . . .                 | 2-8         |
| 5-6.           | Incorrect speed . . . . .                        | 2-8         |
| 5-7.           | Improper tracing . . . . .                       | 2-8         |
| <b>6.</b>      | <b>EXPLODED VIEW &amp; PARTS LIST . . . . .</b>  | <b>2-9</b>  |
| 6-1.           | Exploded view (1) and parts list . . . . .       | 2-10        |
| 6-2.           | Exploded view (2) and parts list . . . . .       | 2-13        |
| 6-3.           | Exploded view (3) and parts list . . . . .       | 2-14        |
| 6-4.           | Packing and accessories list . . . . .           | 2-17        |

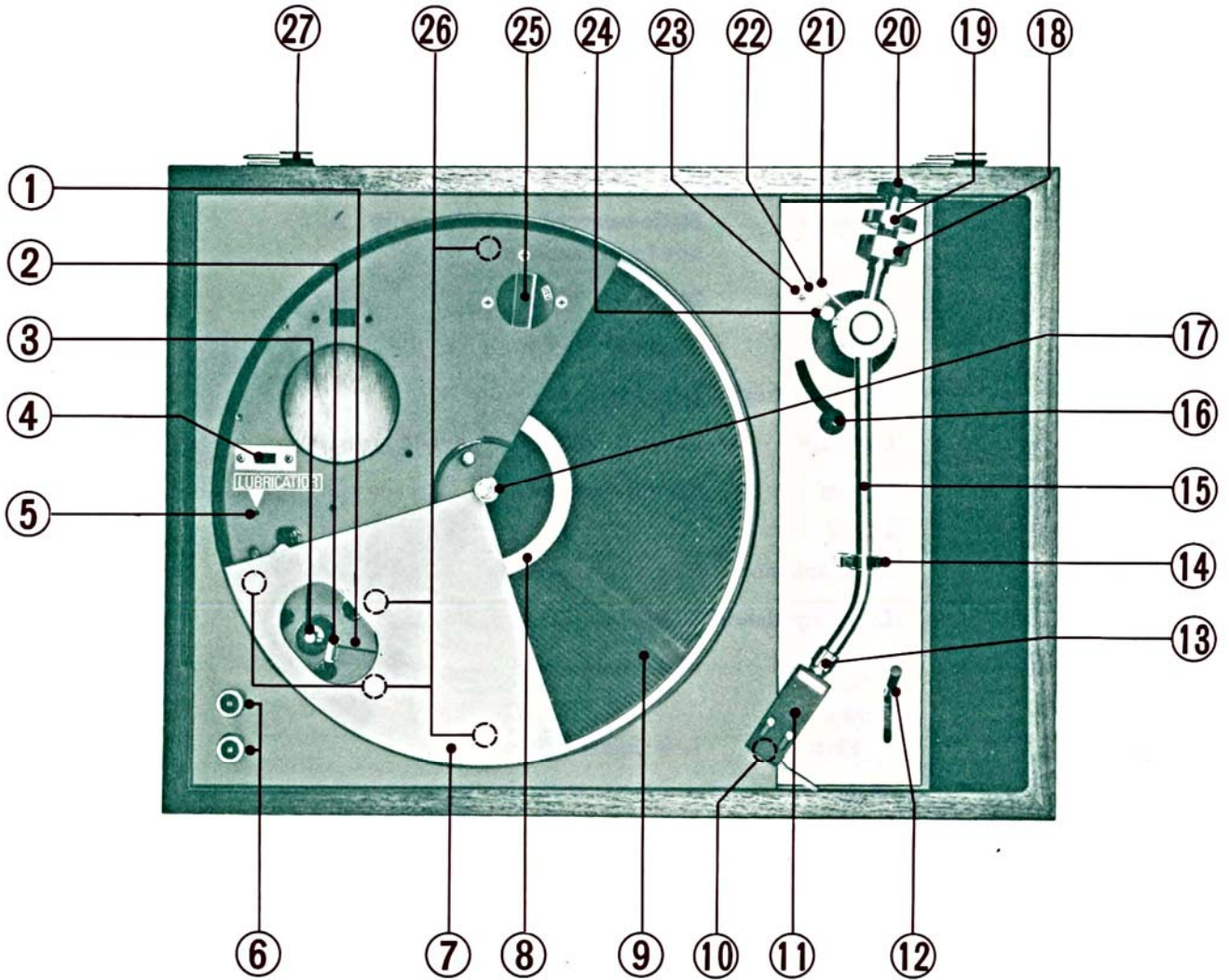
# 1. SPECIFICATIONS

|                         |  |
|-------------------------|--|
| Type:                   | 2-speed, belt-driven manual turntable  |
| Rated speeds:           | 33 <sup>1</sup> / <sub>3</sub> , 45 rpm  |
| Motor:                  | 4-pole hysteresis synchronous  |
| Turntable<br>(platter): | Aluminum alloy die-cast, 310mm<br>(12 <sup>13</sup> / <sub>64</sub> " ) $\phi$ , 1.3 kg (2.87 lbs)                             |
| Tonearm:                | Static-balanced tubular with in-<br>side force canceler  |
| Arm length:             | 246 mm (9 <sup>11</sup> / <sub>16</sub> " )  |
| Overhang:               | 15 mm ( <sup>19</sup> / <sub>32</sub> " )  |
| Tracking error:         | Less than $\pm 1^\circ$  |
| Cartridge:              | Induced magnet type (IM Type)  |
| Stylus:                 | 0.5 mil diamond  |
| Stylus<br>compliance:   | 17 $\times 10^{-6}$ cm/dyne  |
| Load impedance:         | 50 k $\Omega$  |
| S/N ratio:              | Better than 45 dB  |
| Wow and<br>Flutter:     | Less than 0.09%  |
| Frequency<br>response:  | 15 $\sim$ 20,000 Hz  |
| Output voltage:         | 5 mV   |
| Crosstalk:              | Better than 30 dB at 1 kHz   |
| Stylus pressure:        | 1.5 $\sim$ 2 grams   |
| Dust cover:             | Smoked acrylic dust cover  |
| Cabinet:                | Walnut, open-pore finished   |
| Power source:           | 100 V, 115 V, 130 V, 200 V, 230 V<br>and 250 V, 50/60 Hz   |
| Dimensions:             | Width 520 mm (20 <sup>15</sup> / <sub>32</sub> " ), depth<br>375 mm (14 <sup>9</sup> / <sub>16</sub> " ), hight 178 mm<br>(7") |
| Weight:                 | 8.5 kg (18.63 lbs)   |

※ Manufacturer reserves a right to change design and/or specifications without notice for purpose of improvement.



## 2. CONTROLS, INDICATORS AND OTHERS



- |                             |                          |                    |
|-----------------------------|--------------------------|--------------------|
| ① Belt                      | ⑩ Cartridge (Stylus)     | ⑲ Main weight      |
| ② Belt guide                | ⑪ Shell                  | ⑳ Sub weight       |
| ③ Capstan                   | ⑫ Control lever          | ㉑ Bias cursor      |
| ④ Frequency selector switch | ⑬ Locking nut            | ㉒ Bias hook        |
| ⑤ Oil orifice               | ⑭ Arm rest               | ㉓ Bias weight      |
| ⑥ Speed selector switch     | ⑮ Tonearm                | ㉔ Bias setscrew    |
| ⑦ Turntable (Platter)       | ⑯ Arm lifter             | ㉕ Voltage selector |
| ⑧ Turntable ring            | ⑰ Turntable spindle      | ㉖ Shipping bolts   |
| ⑨ Turntable rubber mat      | ⑱ Stylus pressure weight | ㉗ Hinge            |

## 3. MAINTENANCE

### 3-1. Changing the capstan

The SR-3030's power source frequency has been properly adjusted for the area. If the turntable is brought to the country or area where electrical cycles change from 50 to 60 Hz or vice versa, an adjustment in the turntable speed is necessary as follows.

1. Remove the turntable (platter) and belt.
2. Loosen the setscrew of the capstan and pull the capstan up.
3. Attach a proper capstan (the thicker one is for 50 Hz).
4. Adjust the height of the capstan so that the belt moves smoothly while changing the turntable speed from  $33\frac{1}{3}$  to 45 rpm or vice versa, then tighten the setscrew of the capstan securely.
5. At the same time, set the frequency selector switch for the new frequency by sliding.

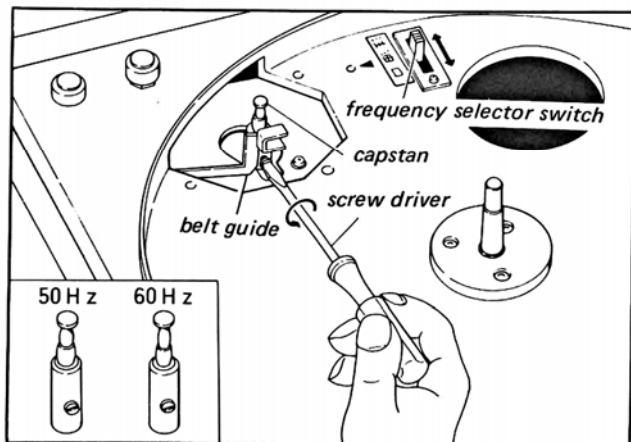


Fig. 3-1

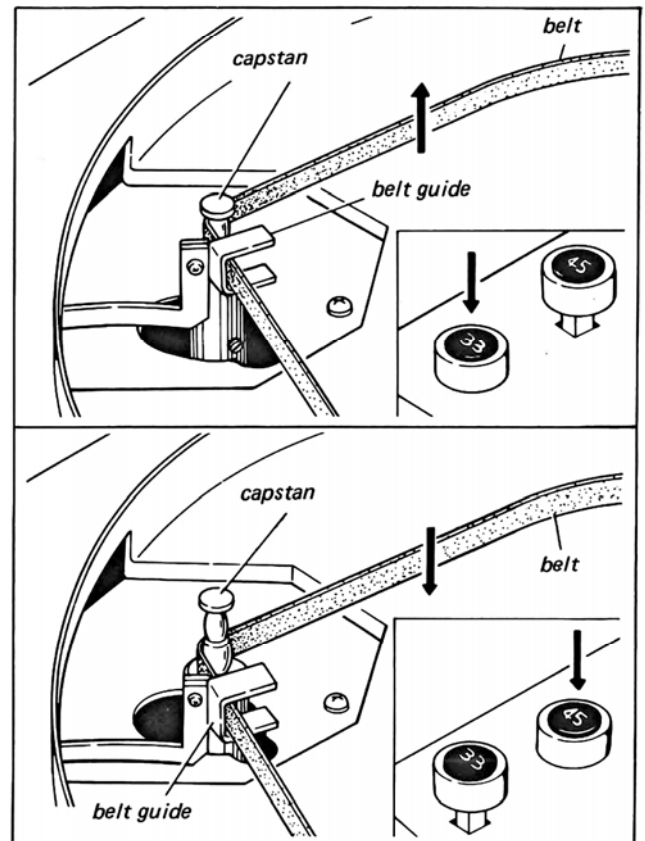


Fig. 3-2

### 3-2. Replacing the cartridge

1. Turn the locking nut counterclockwise and pull the shell out.
2. Remove the cartridge by loosening the nuts and disconnecting the leads.
3. Attach the cartridge and connect the leads in place correctly.
4. After replacement, adjust the stylus pressure again. (See page 2-5, 4-1. Adjusting the stylus pressure).

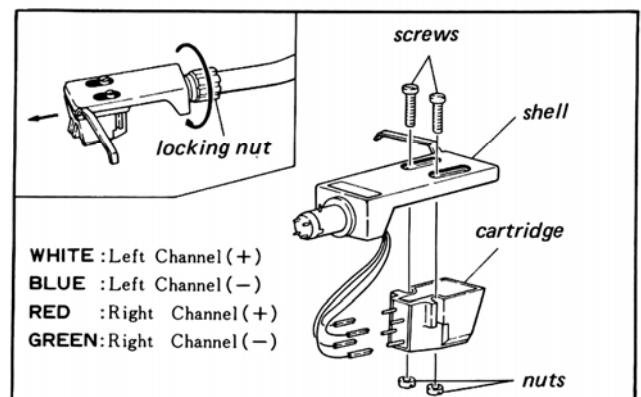


Fig. 3-3

### 3-3. Oiling

Although the need for oiling depends on usage, oiling should be performed once a year (every 1,000 hours of operation).

#### 1. Motor

Remove the turntable (platter) and apply a few drops of oil. Use only the oil attached with the turntable. Be careful that the oil does not stain the belt or the capstan.

#### 2. Turntable spindle

- 1) Remove the turntable spindle ass'y as Fig. 3-5.
- 2) Loosen the bearing cap, pull the spindle up and apply a few drops of oil.

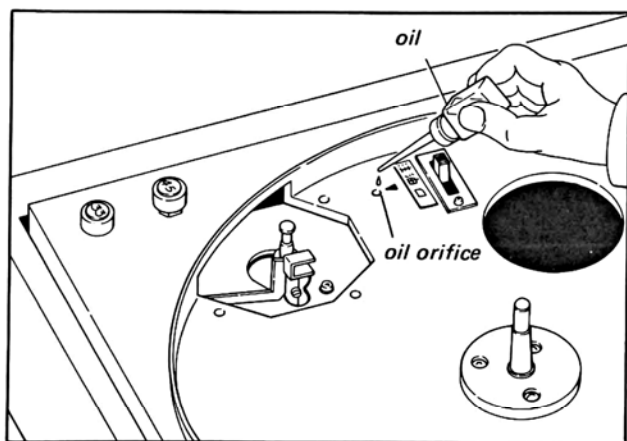


Fig. 3-4

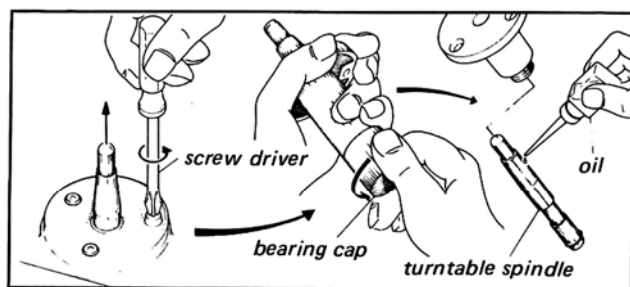


Fig. 3-5

### 3-4. Changing the LINE voltage

The SR-3030 can be used at six different voltages: 100 V, 115 V, 130 V, 200 V, 230 V and 250 V. Be careful not to switch to the wrong position.

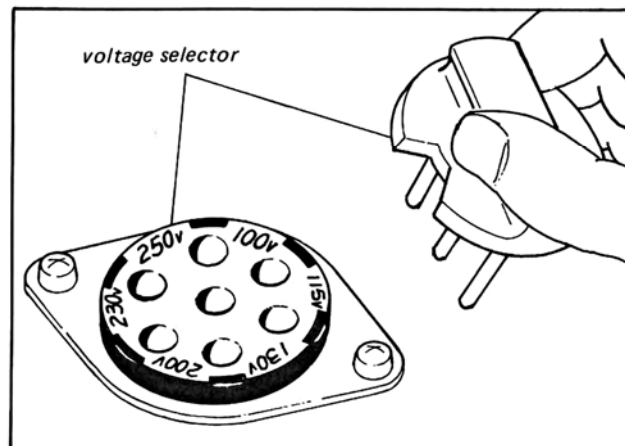


Fig. 3-6

## 4. ADJUSTMENT

### 4-1. Adjusting the stylus pressure

1. Remove the stylus cover from the cartridge and set the control lever to PLAY.
2. Remove the tonearm from its rest and join the stylus pressure weight with the main weight.
3. Move the main weight including the stylus pressure weight back and forth until the tonearm balances.
4. In this condition, move the stylus pressure weight only so that the stylus pressure scale coincides with stylus pressure. Each notch on the main weight represents 0.5 gram.

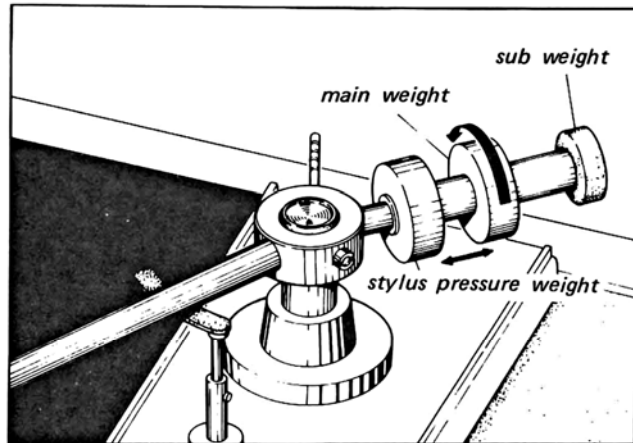
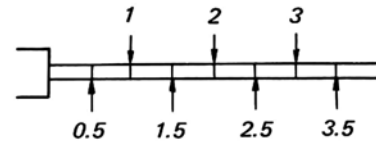


Fig. 4-1



bias cursor scale (unit: g)

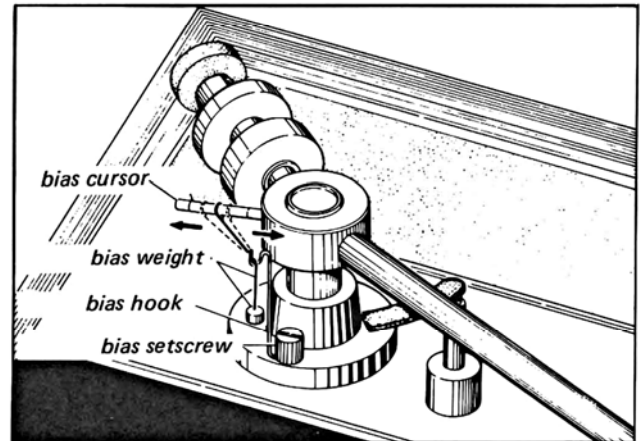


Fig. 4-2

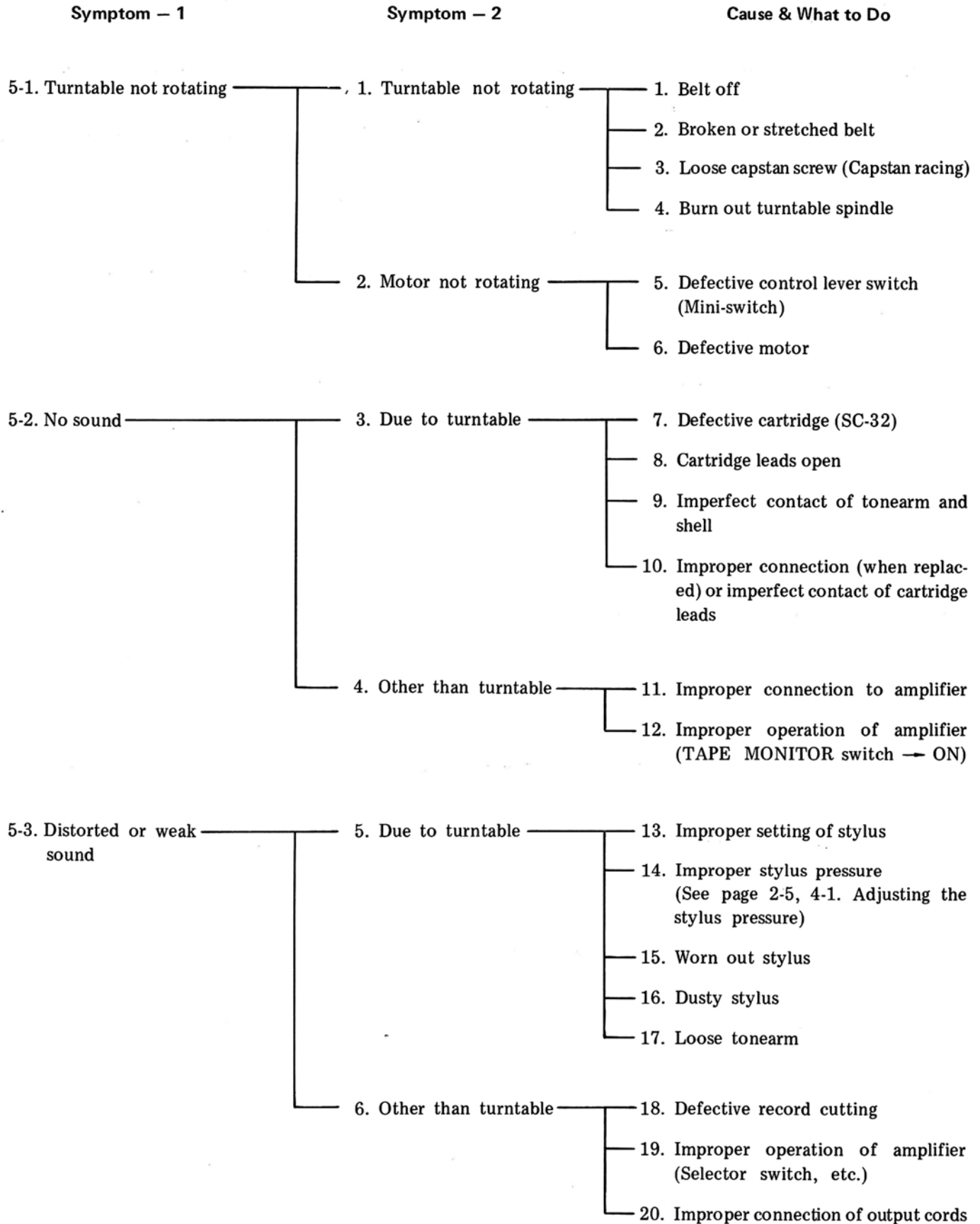
### 4-2. Adjusting the inside force canceler

1. Attach the bias cursor and bias hook to proper position.
2. Attach the bias weight to the bias cursor.
3. Position the loop in the notch on the bias cursor corresponding to the stylus pressure being used. Each notch represents 0.5 gram.

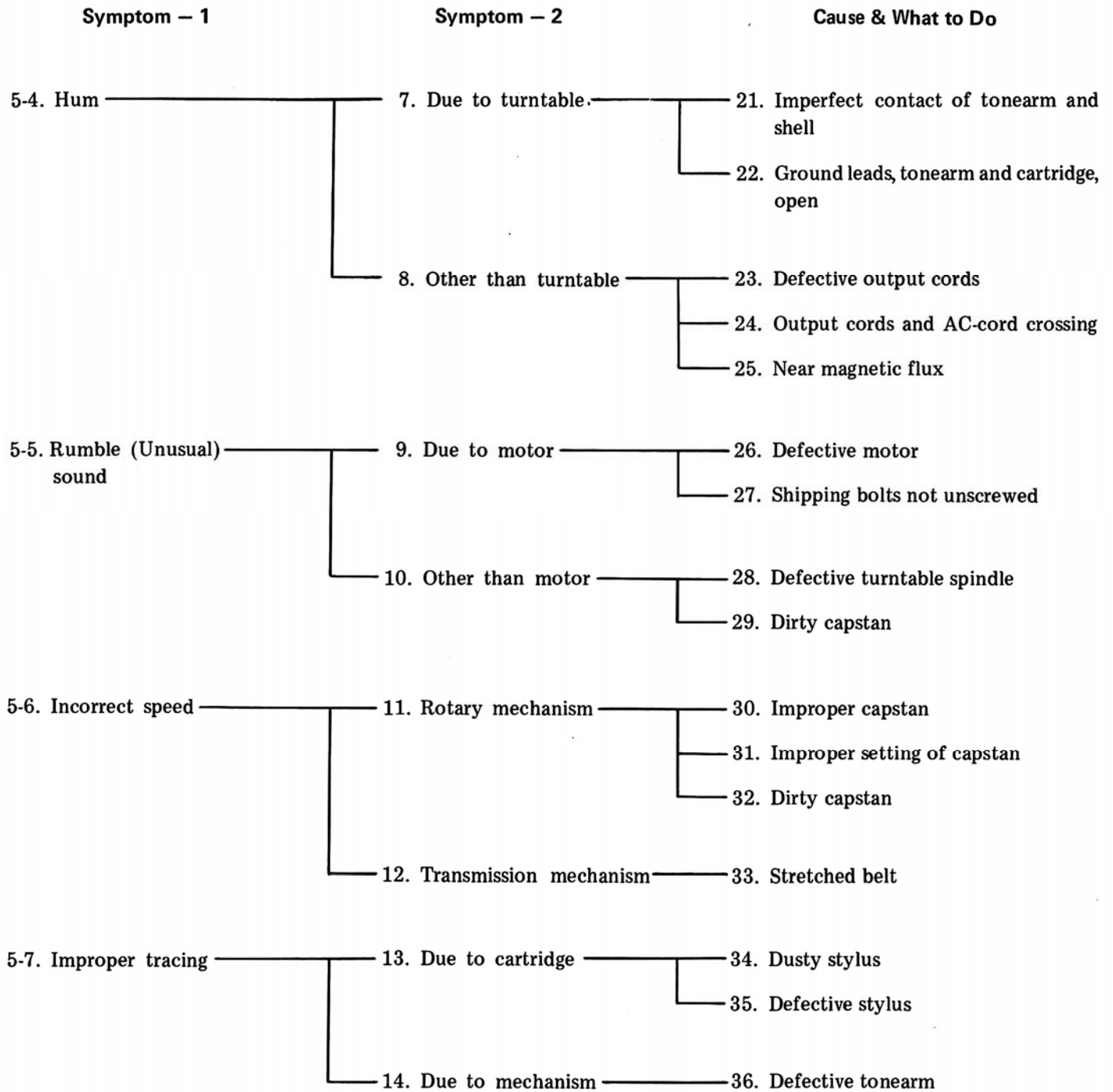
### 4-3. Adjusting the arm lifter

1. Set the record on the turntable (platter) and switch the control lever to OFF or ON.
2. Move the tonearm above the record.
3. Adjust the height of the arm lifter so that the space between the record and stylus is 6–12 mm.
4. Check that the stylus slowly comes down on the record when the control lever is switched to PLAY.
5. In this condition of the stylus on the record, check the height of the tonearm so that the tonearm is level with the record.
6. After adjustment, check its operation a few times.

## 5. TROUBLESHOOTING







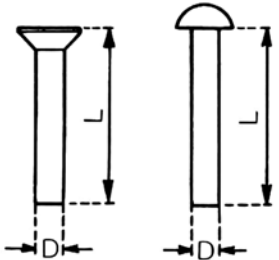
# 6. EXPLODED VIEW & PARTS LIST

## Hardware Nomenclature

|                 | Name                                | Abbreviation |  | Type |
|-----------------|-------------------------------------|--------------|--|------|
| <b>SCREW</b>    | Pan Head Screw - - - - -            | <b>P</b>     |  |      |
|                 | Binding Head Screw - - - - -        | <b>B</b>     |  |      |
|                 | Round Head Screw - - - - -          | <b>R</b>     |  |      |
|                 | Flat Countersunk Head Screw - - - - | <b>F</b>     |  |      |
|                 | Oval Countersunk Head Screw - - - - | <b>O</b>     |  |      |
|                 | Truss Head Screw - - - - -          | <b>T</b>     |  |      |
|                 | Flat Fillister Screw - - - - -      | <b>FS</b>    |  |      |
|                 | Oval Countersunk Wood Screw - - - - | <b>OC</b>    |  |      |
|                 | Flat Countersunk Wood Screw - - - - | <b>FC</b>    |  |      |
|                 | Pan Head Tapping Screw - - - - -    | <b>PT</b>    |  |      |
| <b>SETSCREW</b> | Hex. Socket Setscrew - - - - -      | <b>S</b>     |  |      |
|                 | Slot Type Setscrew - - - - -        | <b>SS</b>    |  |      |
| <b>WASHER</b>   | Retaining Ring (E washer) - - - - - | <b>E</b>     |  |      |
|                 | Plane Washer - - - - -              | <b>P</b>     |  |      |
|                 | Spring Washer - - - - -             | <b>S</b>     |  |      |
|                 | Corrugated Washer - - - - -         | <b>C</b>     |  |      |
|                 | Toothed Lock Washer - - - - -       | <b>TL</b>    |  |      |

**EXAMPLE** FS type Screw, M3 x 6 (BLK)

----- Color  
 ----- Length in mm (L)  
 ----- Diameter in mm (D)  
 ----- Type & Name



All screws conform to ISO standards, unless otherwise noted.

**6-1. Exploded view (1) and parts list (See Fig. 6-1)**

※ Use the stock number for parts order. If the stock number is unknown, use the model's name, fig. number, parts number and parts name correctly.

| Parts No. | Stock No. | Description              |
|-----------|-----------|--------------------------|
| 1         | 5100062   | B Type Screw, M4 x 8     |
| 2         | 5111060   | Hex. Cap Nut, M4         |
| 3         | 5100062   | B Type Screw, M4 x 8     |
| 4         | 5111060   | Hex. Cap Nut, M4         |
| 5         | 6922040   | Hinge D                  |
| 6         | 5100062   | B Type Screw, M4 x 8     |
| 7         | 5111060   | Hex. Cap Nut, M4         |
| 8         | 5100062   | B Type Screw, M4 x 8     |
| 9         | 5111060   | Hex. Cap Nut, M4         |
| 10        | 6922050   | Hinge F                  |
|           | 7022020   | Stay Ass'y               |
| 11        |           | Setscrew A, stay         |
| 12        |           | Washer B, stay           |
| 13        |           | Setscrew B, stay         |
| 14        | 4940030   | Nylon Washer, stay       |
| 15        | 4310030   | Arm, stay                |
| 16        |           | Nylon Washer, stay       |
| 17        |           | Washer A, stay           |
| 18        | 5362020   | Name Plate, dust cover   |
| 19        | 5362020   | Name Plate, dust cover   |
| 20        | 5062070   | Dust Cover               |
| 21        | 5392040   | Ring, turntable          |
| 22        | 5502070   | Rubber Mat, turntable    |
| 23        | 6112020   | Turntable                |
| 24        | 6032020   | Belt                     |
| 25        | 5143025   | FC Type Screw, M3.1 x 10 |
| 26        | 5143025   | FC Type Screw, M3.1 x 10 |

| Parts No. | Stock No. | Description              |
|-----------|-----------|--------------------------|
| 27        | 5143025   | FC Type Screw, M3.1 x 10 |
| 28        | 5143025   | FC Type Screw, M3.1 x 10 |
| 29        | 5143025   | FC Type Screw, M3.1 x 10 |
| 30        | 5143025   | FC Type Screw, M3.1 x 10 |
| 31        | 5143025   | FC Type Screw, M3.1 x 10 |
| 32        | 5143025   | FC Type Screw, M3.1 x 10 |
| 33        | 5512050   | Insulator                |
| 34        | 5512050   | Insulator                |
| 35        | 5512050   | Insulator                |
| 36        | 5512050   | Insulator                |
| 37        | 5732110   | Bottom Cover             |
| 38        |           | Output Cords             |
| 39        |           | AC Cord                  |
| 40        | 5143025   | FC Type Screw, M3.1 x 10 |
| 41        | 5143025   | FC Type Screw, M3.1 x 10 |
| 42        | 5143025   | FC Type Screw, M3.1 x 10 |
| 43        | 6922040   | Hinge B                  |
| 44        | 5143025   | FC Type Screw, M3.1 x 10 |
| 45        | 5143025   | FC Type Screw, M3.1 x 10 |
| 46        | 5143025   | FC Type Screw, M3.1 x 10 |
| 47        | 6922050   | Hinge E                  |
| 48        | 5502180   | Cushion                  |
| 49        | 5502180   | Cushion                  |
| 50        | 5332030   | Badge                    |
| 51        | 5732130   | Cabinet                  |



Fig. 6-1

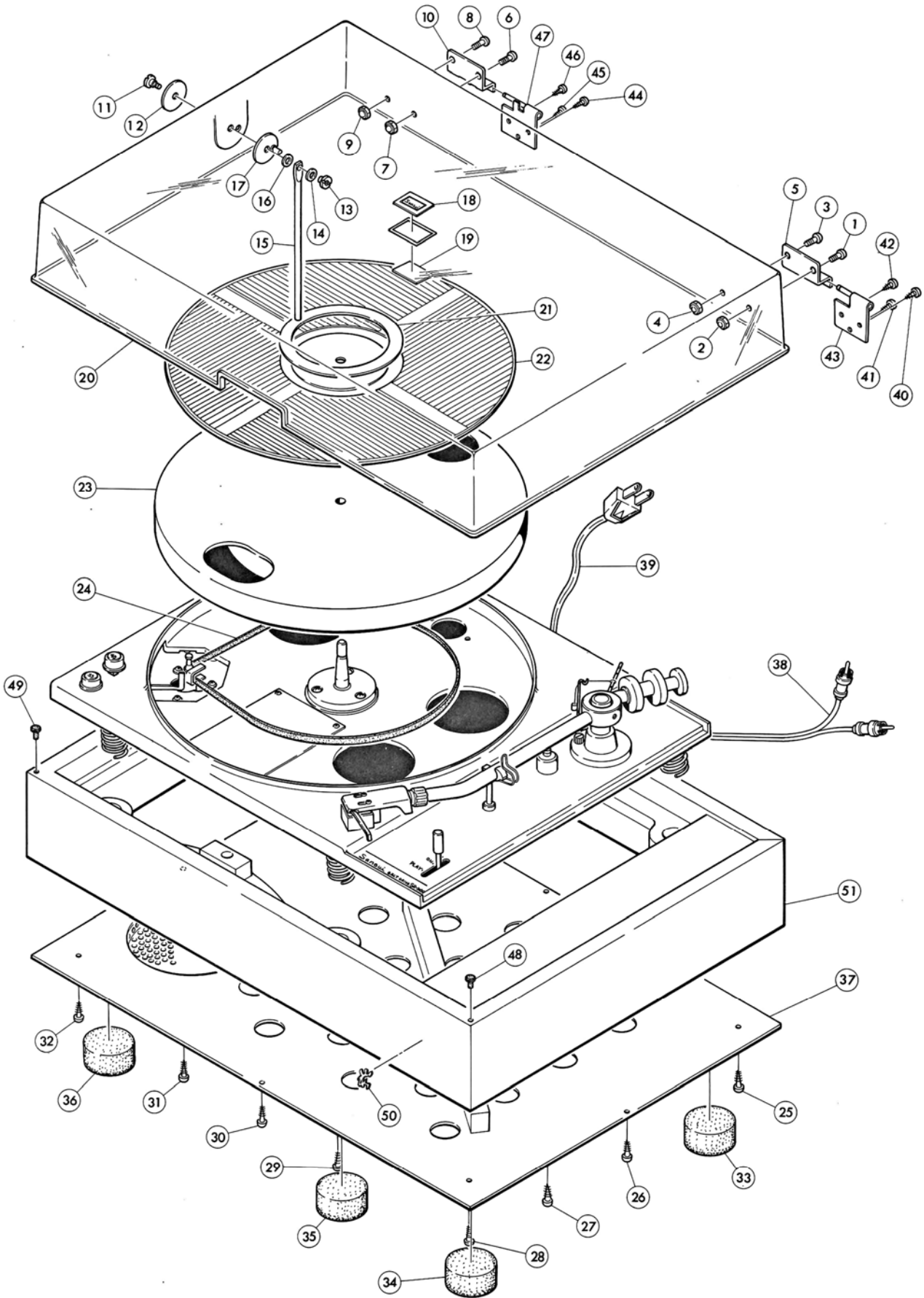
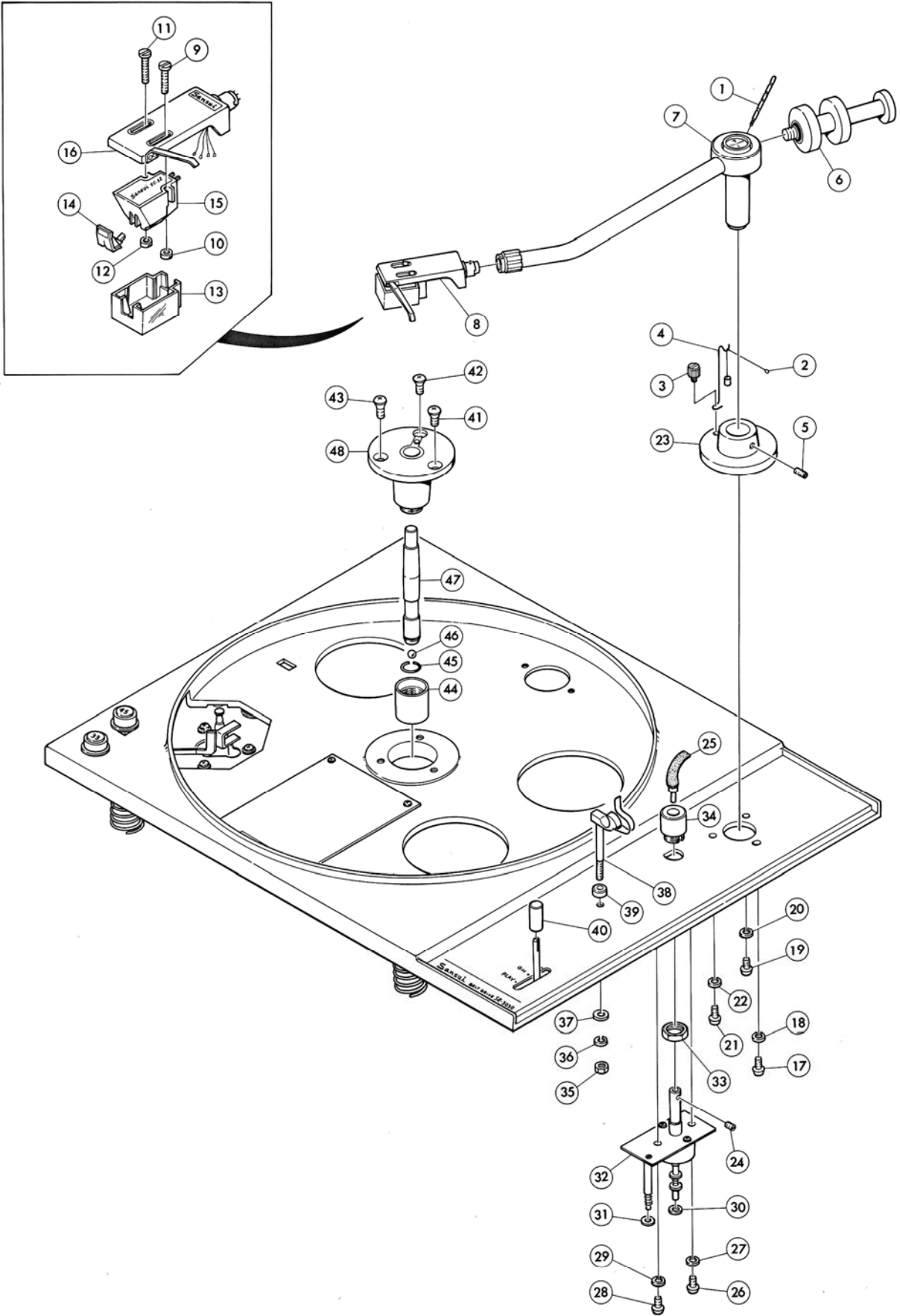


Fig. 6-2



## 6-2. Exploded view (2) and parts list (See Fig. 6-2)

※ Use the stock number for parts order. If the stock number is unknown, use the model's name, fig. number, parts number and parts name correctly.

| Parts No. | Stock No. | Description                  | Parts No. | Stock No. | Description                  |
|-----------|-----------|------------------------------|-----------|-----------|------------------------------|
|           | 7092020   | Tonearm Ass'y                | 26        | 5103043   | P Type Screw, M3 x 6         |
| 1         | 5432020   | Cursor, bias                 | 27        | 5121340   | S Type Washer, 3 x 1.1 x 0.7 |
| 2         | 6912120   | Weight, bias                 | 28        | 5103043   | P Type Screw, M3 x 6         |
| 3         | 5162110   | Setscrew, bias               | 29        | 5121340   | S Type Washer, 3 x 1.1 x 0.7 |
| 4         | 5292040   | Hook, bias                   | 30        | 5120141   | P Type Washer, 3 x 8 x 0.5   |
| 5         |           | SS Type Screw, M4 x 4        | 31        | 5120141   | P Type Washer, 3 x 8 x 0.5   |
| 6         | 6912010   | Main Weight Ass'y            | 32        | 7082020   | Arm Lifter Ass'y             |
| 7         |           | Tonearm                      | 33        |           | Hex Nut, M11                 |
| 8         |           | Shell (with Cartridge)       | 34        | 5242040   | Base, lifter                 |
| 9         |           | FS Type Screw, M2.6 x 12     | 35        | 5110341   | Hex. Nut, M3 x 5.5 x 2.4     |
| 10        |           | Nut, M2.6                    | 36        | 5121340   | S Type Washer, 3 x 1.1 x 0.7 |
| 11        |           | FS Type Screw, M2.6 x 12     | 37        | 5120141   | P Type Washer, 3 x 8 x 0.5   |
| 12        |           | Nut, M2.6                    | 38        | 6622020   | Rest, arm                    |
| 13        |           | Cover, stylus                | 39        |           | Base, arm rest               |
| 14        | 4940030   | Stylus (SN-31)               | 40        | 5312020   | Cap, control lever           |
| 15        | 4310030   | Cartridge (SC-32)            | 41        | 5104161   | O Type Screw, M4 x 6         |
| 16        | 6642010   | Shell                        | 42        | 5104161   | O Type Screw, M4 x 6         |
| 17        | 5103044   | P Type Screw, M3 x 8         | 43        | 5104161   | O Type Screw, M4 x 6         |
| 18        | 5121340   | S Type Washer, 3 x 1.1 x 0.7 |           | 7032020   | Turntable Spindle Ass'y      |
| 19        | 5103044   | P Type Screw, M3 x 8         | 44        |           | Cap, bearing                 |
| 20        | 5121340   | S Type Washer, 3 x 1.1 x 0.7 | 45        |           | C Type Ring, 10 φ            |
| 21        | 5103044   | P Type Screw, M3 x 8         | 46        |           | Steel Ball                   |
| 22        | 5121340   | S Type Washer, 3 x 1.1 x 0.7 | 47        |           | Spindle, turntable           |
| 23        | 5252020   | Base, arm                    | 48        |           | Bearing, turntable           |
| 24        |           | SS Type Screw, M3 x 3        |           |           |                              |
| 25        | 5292020   | Guide, arm                   |           |           |                              |



6-3. Exploded view (3) and parts list (See Fig. 6-3)

※ Use the stock number for parts order. If the stock number is unknown, use the model's name, fig. number, parts number and parts name correctly.

| Parts No. | Stock No. | Description                  | Parts No. | Stock No. | Description                               |
|-----------|-----------|------------------------------|-----------|-----------|---|
| 1         | 5103069   | P Type Screw, M4 x 25        | 65        | 5121340   | S Type Washer, 3 x 1.1 x 0.7              |
| 2         | 5121360   | S Type Washer, 4 x 1.4 x 1.0 | 66        | 5103043   | P Type Screw, M3 x 6                      |
| 3         | 5182010   | Cup Washer, M4               | 67        | 5121340   | S Type Washer, 3 x 1.1 x 0.7              |
| 4         | 5232030   | Spacer, motor                | 68        | 7052170   | Control Lever Ass'y                       |
| 5         | 5502060   | Rubber Cushion, motor        | 69        | 5103048   | P Type Screw, M3 x 15                     |
| 6         | 5103069   | P Type Screw, M4 x 25        | 70        | 5110341   | Hex Nut, M3 x 5.5 x 2.4                   |
| 7         | 5121360   | S Type Washer, 4 x 1.4 x 1.0 | 71        | 5103048   | P Type Screw, M3 x 15                     |
| 8         | 5182010   | Cup Washer, M4               | 72        | 1160040   | Micro Switch (AM-4100)                    |
| 9         | 5232030   | Spacer, motor                | 73        | 5103043   | P Type Screw, M3 x 6                      |
| 10        | 5502060   | Rubber Cushion, motor        | 74        | 5121340   | S Type Washer, 3 x 1.1 x 0.7              |
| 11        | 5103069   | P Type Screw, M4 x 25        | 75        |           | Leaf Spring                               |
| 12        | 5121360   | S Type Washer, 4 x 1.4 x 1.0 | 76        | 5151003   | E Type Ring, 2.3 φ                        |
| 13        | 5182010   | Cup Washer, M4               | 77        | 5151003   | E Type Ring, 2.3 φ                        |
| 14        | 5232030   | Spacer, motor                | 78        |           | Shaft, lift cam                           |
| 15        | 5502060   | Rubber Cushion, motor        | 79        |           | Lift Cam                                  |
| 16        | 5103062   | P Type Screw, M4 x 8         | 80        |           | Case, lift cam                            |
| 17        | 5121360   | S Type Washer, 4 x 1.4 x 1.0 | 81        |           | Split Pin                                 |
| 18        | 5120161   | P Type Washer, 4 x 10 x 0.8  | 82        |           | Polyethylene Washer                       |
| 19        | 5103062   | P Type Screw, M4 x 8         | 83        |           | Lift Lever                                |
| 20        | 5121360   | S Type Washer, 4 x 1.4 x 1.0 | 84        |           | Polyethylene Washer                       |
| 21        | 5120161   | P Type Washer, 4 x 10 x 0.8  | 85        |           | Setscrew, lift lever                      |
| 22        | 5103062   | P Type Screw, M4 x 8         | 86        | 5121340   | S Type Washer, 3 x 1.1 x 0.7              |
| 23        | 5121360   | S Type Washer, 4 x 1.4 x 1.0 | 87        | 5103062   | P Type Screw, M4 x 8                      |
| 24        | 5120161   | P Type Washer, 4 x 10 x 0.8  | 88        | 5121360   | S Type Washer, 4 x 1.4 x 1.0              |
| 25        | 5103043   | P Type Screw, M3 x 6         | 89        |           | MP Capacitor<br>1.8 + 0.5 μF 250WV        |
| 26        | 5121340   | S Type Washer, 3 x 1.1 x 0.7 | 90        | 5103043   | P Type Screw, M3 x 6                      |
| 27        | 5103043   | P Type Screw, M3 x 6         | 91        | 5121340   | S Type Washer, 3 x 1.1 x 0.7              |
| 28        | 5121340   | S Type Washer, 3 x 1.1 x 0.7 | 92        |           | Oil Capacitor<br>0.033 μF 600WV           |
| 29        | 6932020   | Cup, oil                     | 93        | 2110070   | 4-Lug Terminal Strip                      |
| 30        |           | Sub Panel                    | 94        | 5103043   | P Type Screw, M3 x 6                      |
| 31        | 5103061   | P Type Screw, M4 x 6         | 95        | 5121340   | S Type Washer, 3 x 1.1 x 0.7              |
| 32        | 5121360   | S Type Washer, 4 x 1.4 x 1.0 | 96        | 2110070   | 4-Lug Terminal Strip                      |
| 33        | 5103061   | P Type Screw, M4 x 6         | 97        | 5103043   | P Type Screw, M3 x 6                      |
| 34        | 5121360   | S Type Washer, 4 x 1.4 x 1.0 | 98        | 5121340   | S Type Washer, 3 x 1.1 x 0.7              |
| 35        | 5103061   | P Type Screw, M4 x 6         | 99        | 5120141   | P Type Washer, 3 x 8 x 0.5                |
| 36        | 5121360   | S Type Washer, 4 x 1.4 x 1.0 | 100       | 5103043   | P Type Screw, M3 x 6                      |
| 37        | 5103061   | P Type Screw, M4 x 6         | 101       | 5121340   | S Type Washer, 3 x 1.1 x 0.7              |
| 38        | 5121360   | S Type Washer, 4 x 1.4 x 1.0 | 102       | 5120141   | P Type Washer, 3 x 8 x 0.5                |
| 39        | 5242050   | Sheet, motor                 | 103       |           | Enameld Wirewound Resistor,<br>300 Ω 15-W |
| 40        |           | SS Type Screw, M3 x 4        | 104       | 5103043   | P Type Screw, M3 x 6                      |
| 41        | 6142030   | Capstan (50 Hz)              | 105       | 5103043   | P Type Screw, M3 x 6                      |
|           | 6142040   | Capstan (60 Hz)              | 106       |           | Name Plate, frequency                     |
| 42        | 4320060   | Motor                        | 107       |           | Slide Switch                              |
| 43        | 5151004   | E Type Ring, 3 φ             | 108       | 5103061   | P Type Screw, M4 x 6                      |
| 44        |           | Guide, belt                  | 109       |           | Spring, panel                             |
| 45        | 7102040   | Pushbutton (33)              | 110       | 5103061   | P Type Screw, M4 x 6                      |
| 46        |           | Polyethylene Washer          | 111       |           | Spring, panel                             |
| 47        | 7102030   | Pushbutton (45)              | 112       | 5103061   | P Type Screw, M4 x 6                      |
| 48        |           | Polyethylene Washer          | 113       |           | Spring, panel                             |
| 49        | 5103043   | P Type Screw, M3 x 6         | 114       | 5103061   | P Type Screw, M4 x 6                      |
| 50        | 5121340   | S Type Washer, 3 x 1.1 x 0.7 | 115       |           | Spring, panel                             |
| 51        | 5103043   | P Type Screw, M3 x 6         | 116       | 5103061   | P Type Screw, M4 x 6                      |
| 52        | 5121340   | S Type Washer, 3 x 1.1 x 0.7 | 117       | 5121260   | S Type Washer, 4 x 1.4 x 1.0              |
| 53        |           | Spring, speed selector       | 118       | 5103061   | P Type Screw, M4 x 6                      |
| 54        | 7062020   | Speed Selector Ass'y         | 119       | 5121260   | S Type Washer, 4 x 1.4 x 1.0              |
| 55        | 5151003   | E Type Ring, 2.3 φ           | 120       |           | Power Transformer                         |
| 56        | 5151003   | E Type Ring, 2.3 φ           | 121       | 5103043   | P Type Screw, M3 x 6                      |
| 57        |           | Spring, stopper shaft        | 122       | 5121340   | S Type Washer, 3 x 1.1 x 0.7              |
| 58        | 5151003   | E Type Ring, 2.3 φ           | 123       | 5103043   | P Type Screw, M3 x 6                      |
| 59        | 6512020   | Stopper Shaft                | 124       | 5121340   | S Type Washer, 3 x 1.1 x 0.7              |
| 60        | 5103043   | P Type Screw, M3 x 6         | 125       |           | Voltage Selector                          |
| 61        | 5121340   | S Type Washer, 3 x 1.1 x 0.7 |           |           |   |
| 62        | 5103043   | P Type Screw, M3 x 6         |           |           |   |
| 63        | 5121340   | S Type Washer, 3 x 1.1 x 0.7 |           |           |   |
| 64        | 5103043   | P Type Screw, M3 x 6         |           |           |   |

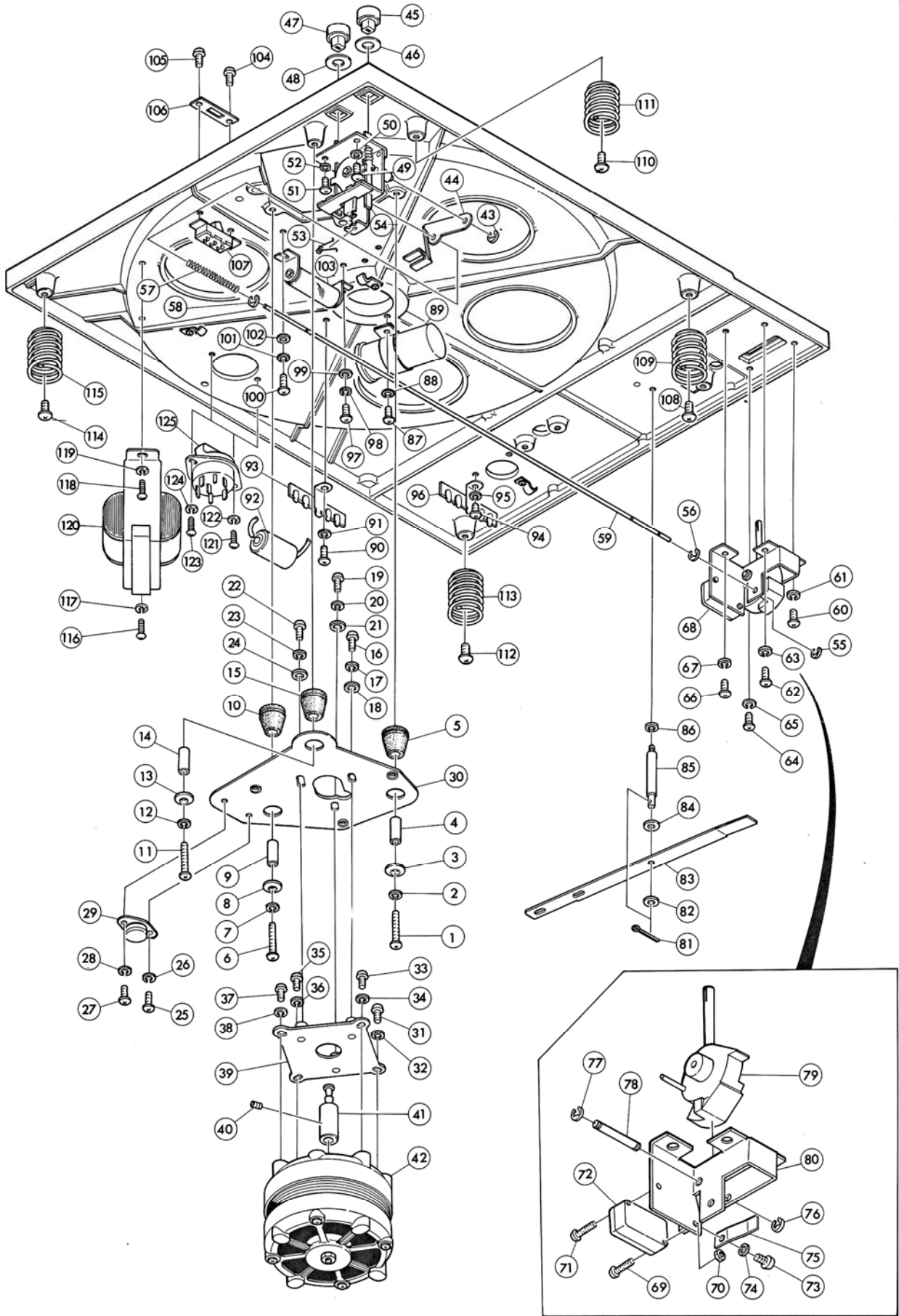


Fig. 6-3

